

Standard lamps

Dental technology

Special features:

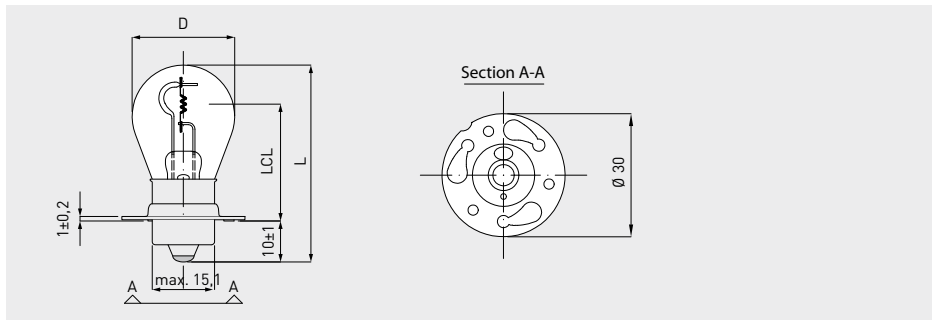
- transparent, with mirrored or black dome
- precision of manufacture, minimum tolerances in the positioning of the filaments
- compact luminary
- premium-quality inert gas filling
- different special caps available
- IR coating possible
- as a custom specification: lamps with a bimetallic switch in the cap

Specific benefits:

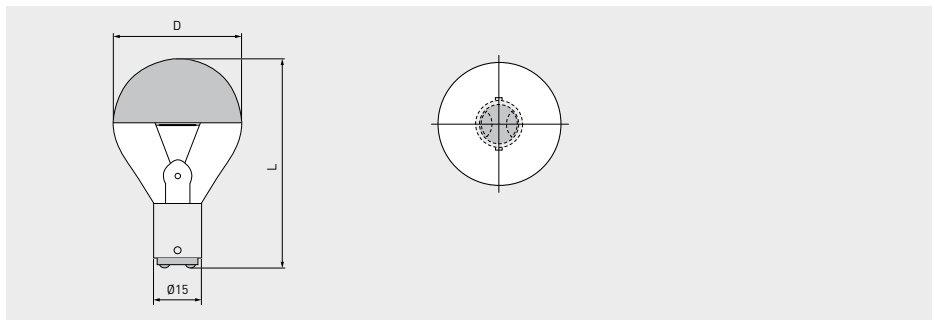
- very precise positioning in the light
- optimum power concentration
- with IR coating: the same luminosity with reduced heat emission
- high luminous flux
- high operating safety

Areas of use:

- dental lighting



Article no.	Description	V	W	Am- perage	Cap	Bulb diameter D max. mm	Total length max. mm	Light centre length mm	Luminous flux lm	Average life h	Individual life h	Burning position	PU
00842508	12V 25W P30s	12	25		P30s	26.2	50.8	28.9	360	500			



Article no.	Description	V	W	Am- perage	Cap	Bulb diameter D mm	Total length L max. mm	Light centre length mm	Lumi- nous flux lm	Average life h	Individual life h	Burning position	PU
00936004	12V 25W BA15d transversal	12	25		BA15d	40	66		300	600			
00936111	12V 35W BA15d axial	12	35	2.92	BA15d	40	63		390	500			
00936011	12V 40W BA15d transversal	12	40		BA15d	40	63		500	600			
00936065	24V 25W BA15d transversal	24	25		BA15d	50	74		300	300			
00936001	24V 25W BA15d with Pre cap axial	24	25		BA15d	40	64		350	500			
00936012	24V 25W BA15d transversal	24	25		BA15d	40	65		300	300			
00936035	24V 30W BA15d transversal	24	30		BA15d	40	62		450	200			
00936014	24V 40W BA15d transversal	24	40		BA15d	40	65		500	600			
00936015	24V 40W BA15d axial	24	40		BA15d	40	65		500	600			
00936064	24V 40W BA15d transversal	24	40		BA15d	50	74		500	600			